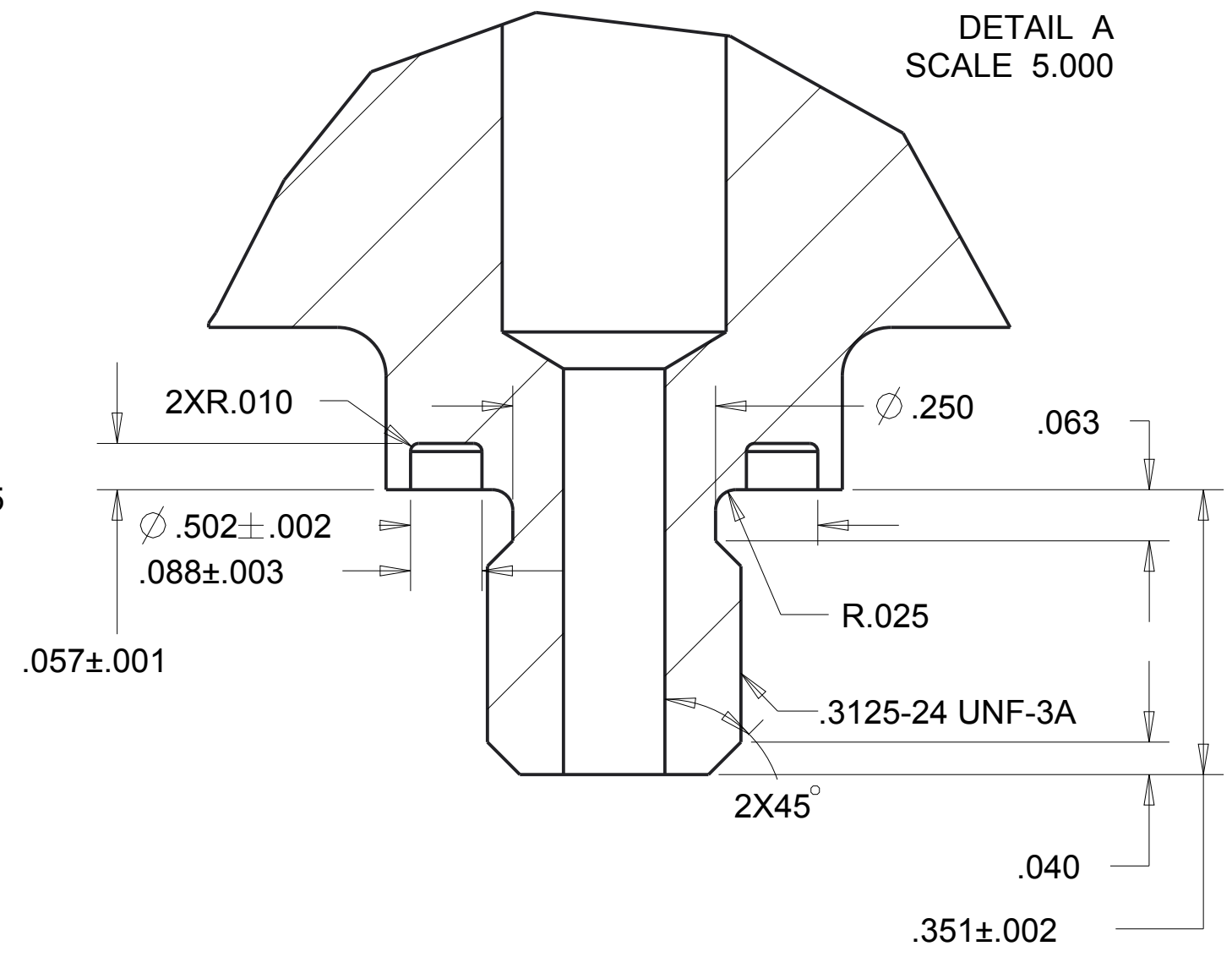
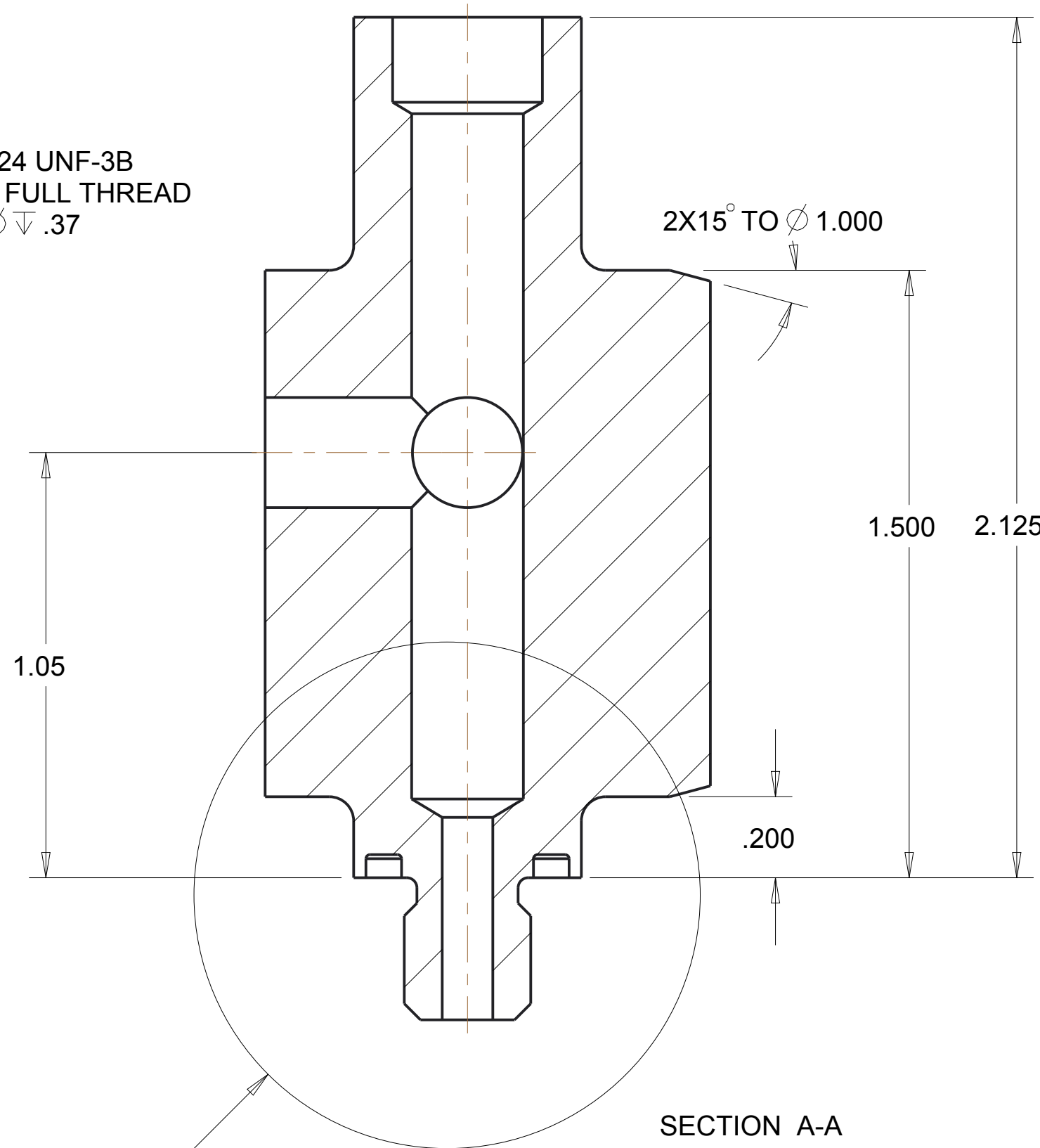
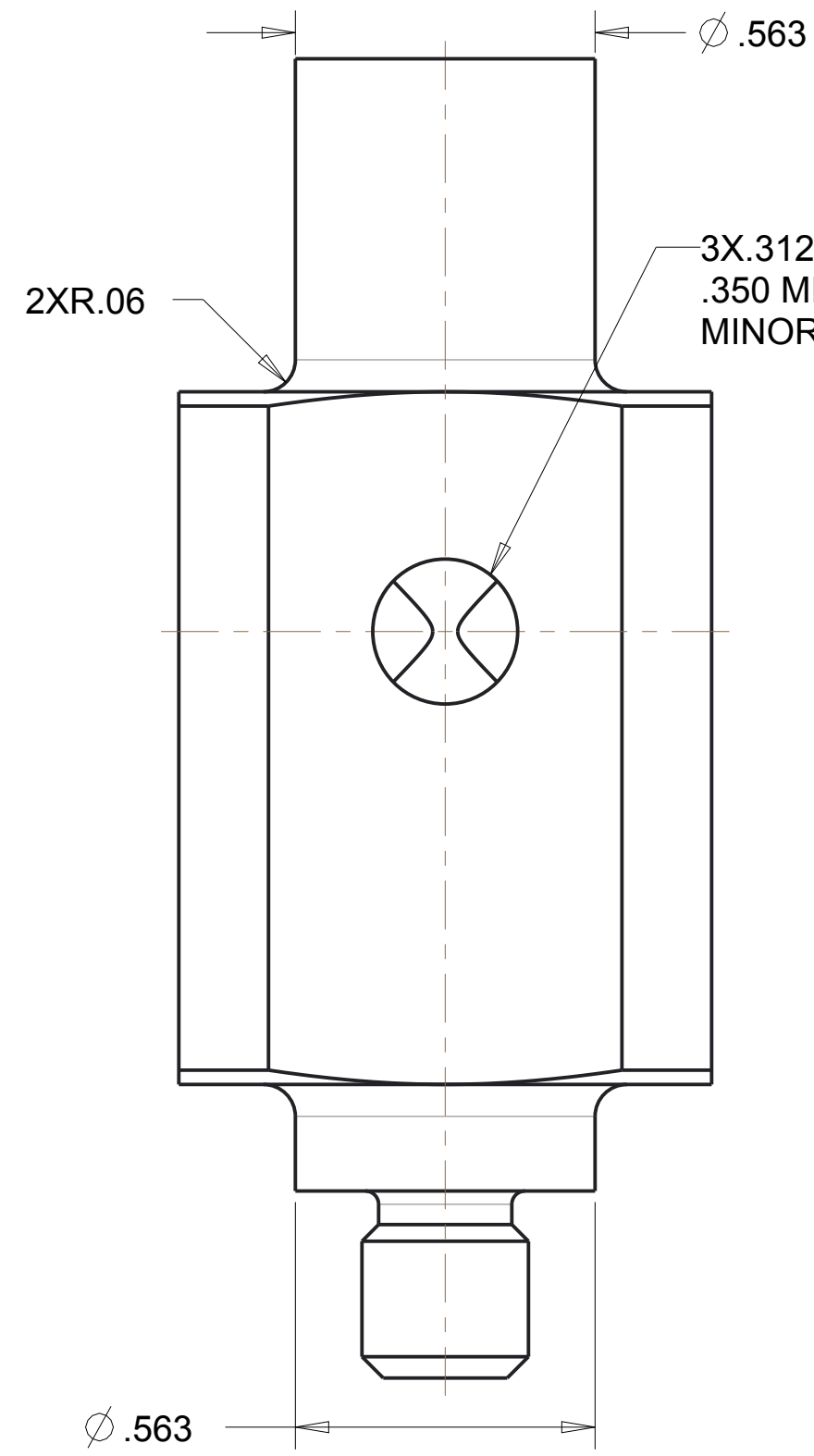
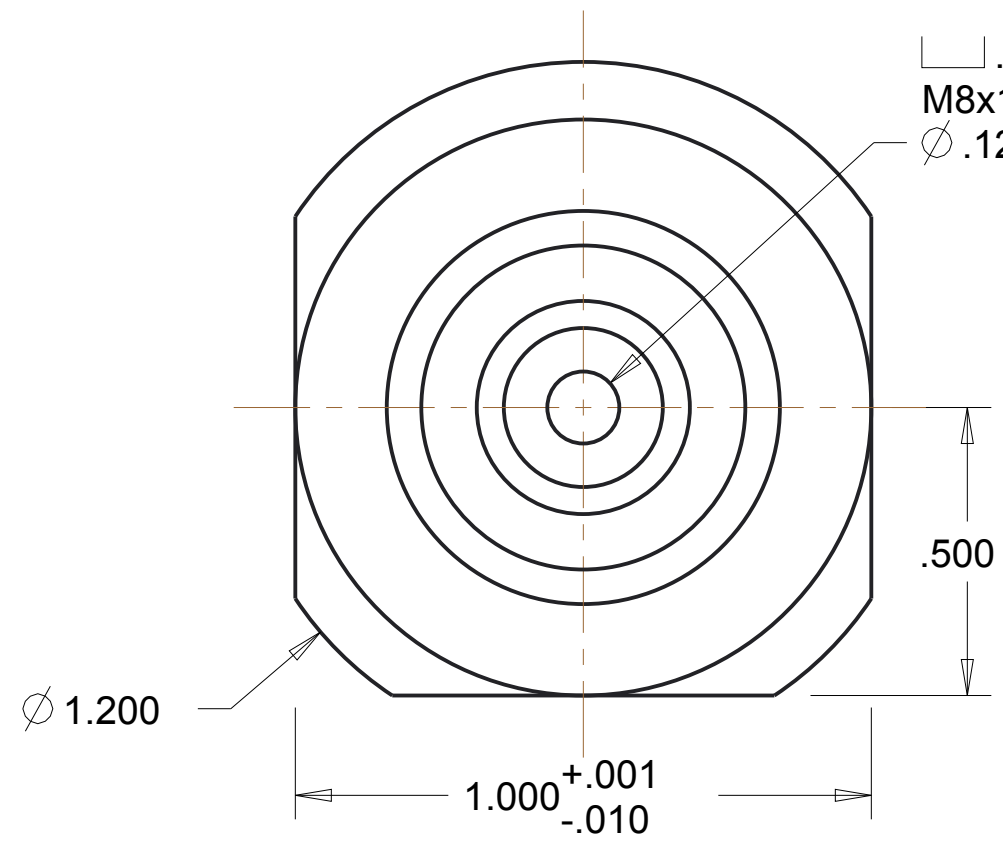


COPYRIGHT 2013
 WWW.ROCKETMOONLIGHTING.COM
 ALL RIGHTS RESERVED
 DO NOT REDISTRIBUTE

PRODUCTION FROM THIS DRAWING
 IN WHOLE OR PART IS AUTHORIZED
 ONLY FOR PERSONAL, NON-COMERCIAL
 PURPOSES.



UNLESS OTHERWISE SPECIFIED: .X ± 0.1 .XX ± 0.01 .XXX ± 0.005 ANGULAR $\pm 1^\circ$	ROCKETMOONLIGHTING.COM		
	IGNITER BODY, PR56		
CRES 316	15 JUL 2013	SCALE 2.000	
AMS 5653			